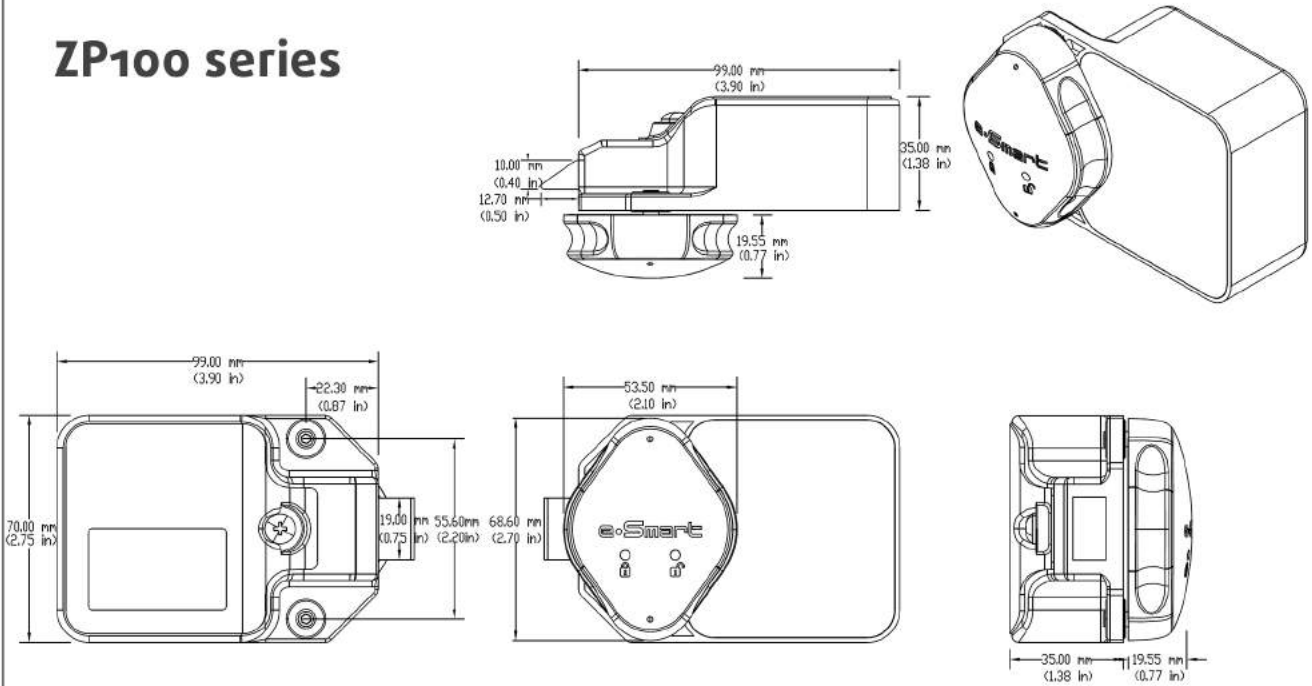
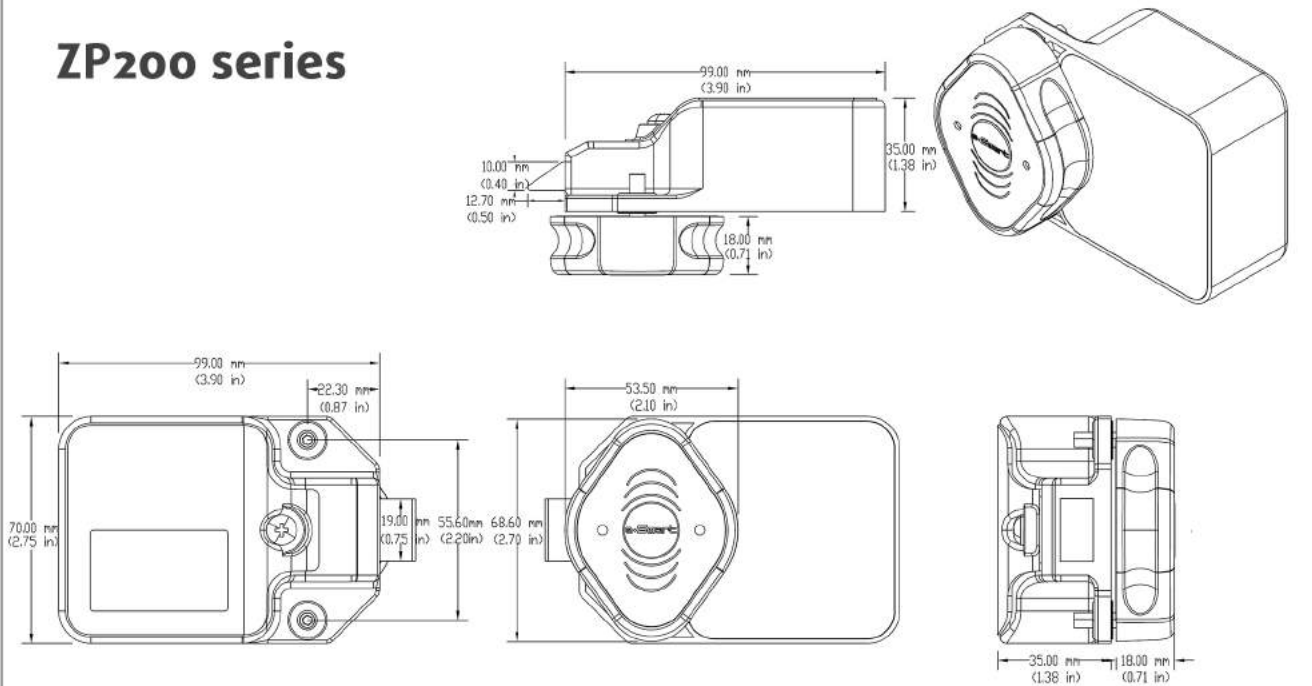


ZP100 series



				Scale	Material	Qty
				1:1		
				Date	Name	Subject
						ZP-100 Assembly
				DCN		
				CHR		
				APP		
				PASSTECH		
Zone	Description	Date	Name	DWG No.	ZP100-00-001	

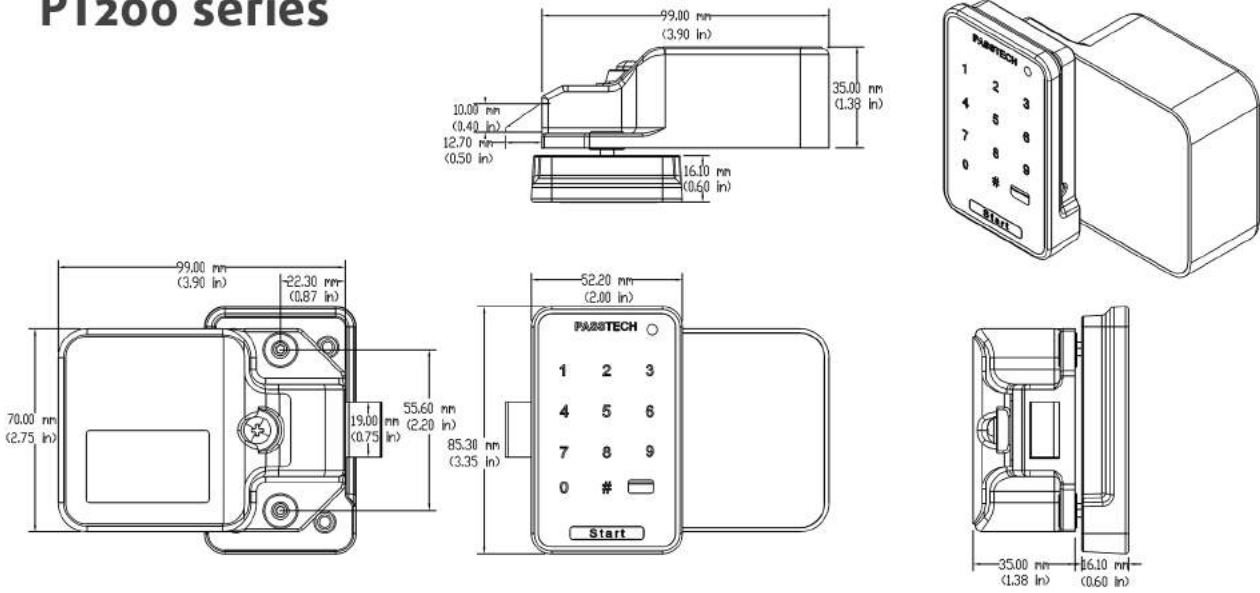
ZP200 series



				Scale	Material	Qty
				1:1		
				Date	Name	Subject
						ZP-200 Assembly
				DCN		
				CHR		
				APP		
				PASSTECH		
Zone	Description	Date	Name	DWG No.	ZP200-00-001	

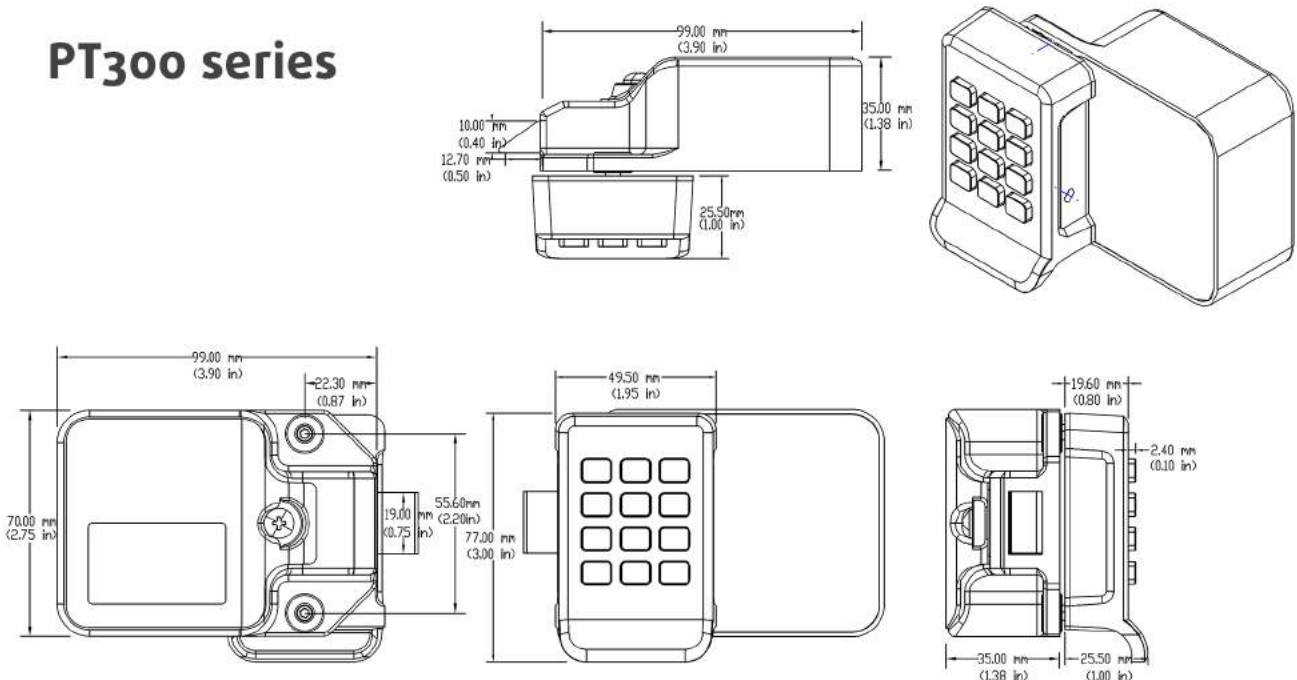
Dimensions

PT200 series



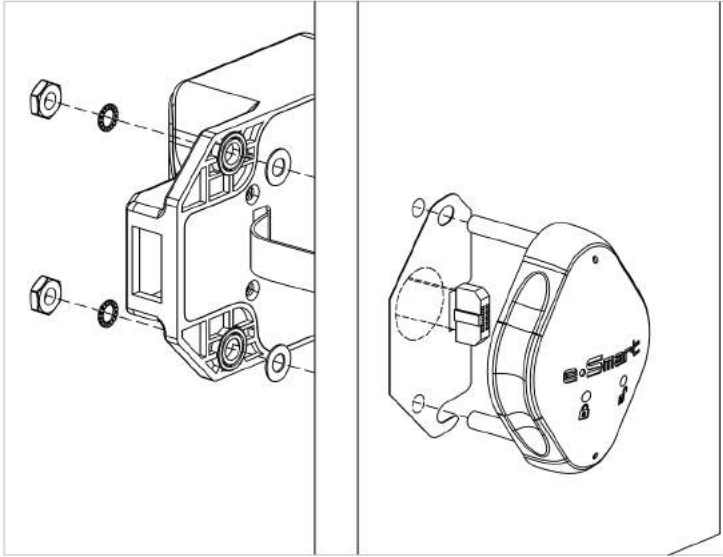
		Scale 1:1		Material	Qty
		Date	Name	Project	
		DGN		Subject	
		CHK		PT-200 Assembly	
		APP			
		PASSTECH			
Zone	Description	Date	Name	DWG No.	PT200-00-001

PT300 series



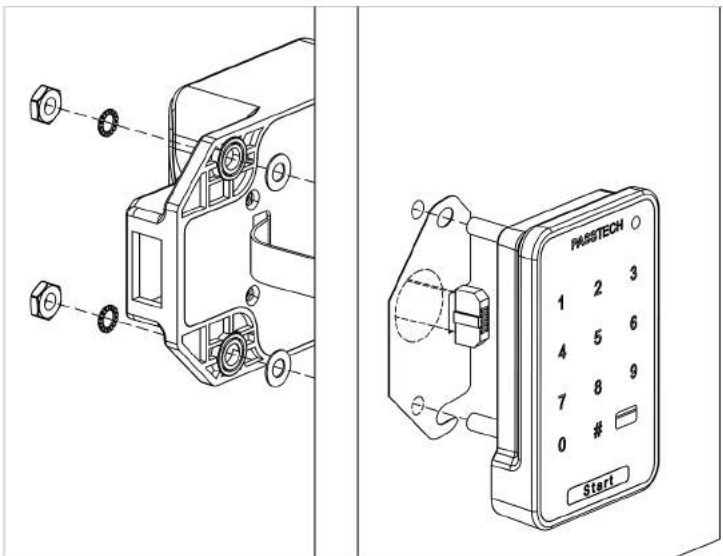
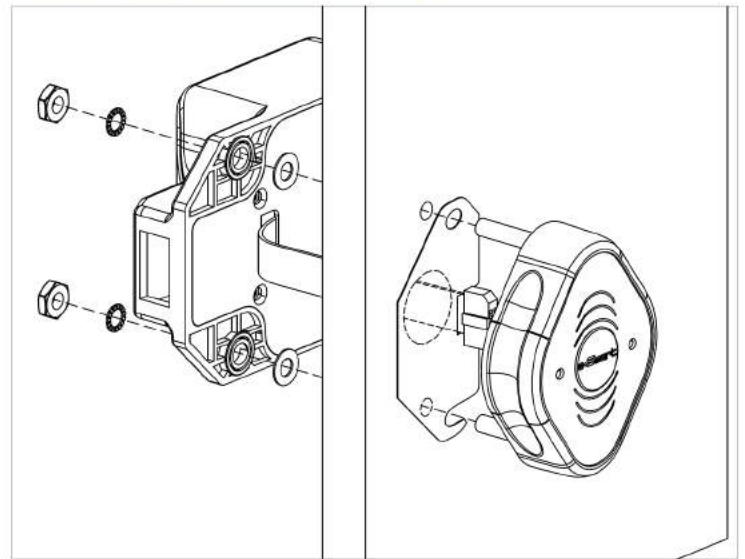
		Scale 1:1		Material	Qty
		Date	Name	Project	
		DGN		Subject	
		CHK		PT-300 Assembly	
		APP			
		PASSTECH			
Zone	Description	Date	Name	DWG No.	PT300-00-001

Assembly drawings



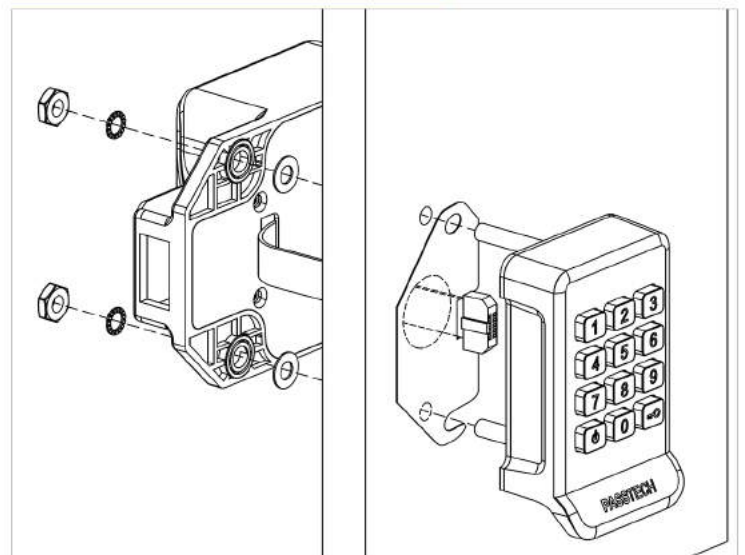
ZP100 series

ZP200 series



PT200 series

PT300 series



Door mounting hole drilling instruction

