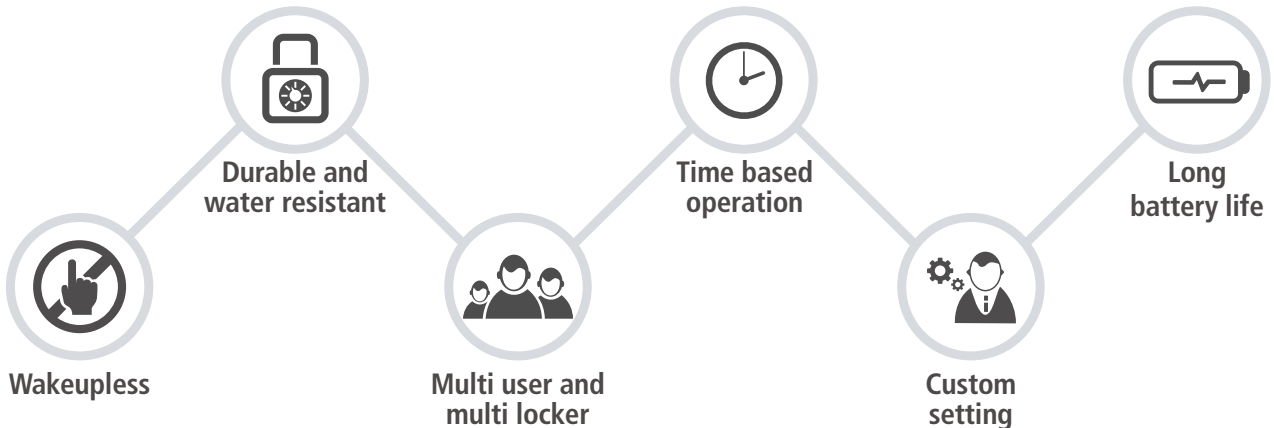




Stand-alone RFID Locking System

Esmart Classic :
Smart RFID locker lock system flexibly programmable





Stand-alone RFID Locking System

MAIN FEATURES

| Durable and enhanced design / waterproof

- High impact polycarbonate & waterproof case (IP55)
- Alluminum die-casting latch

| Easy to fit and retrofit

- Engineered to work on all standard material doors :
Metal, wood & laminate lockers and caseworks

| Certified by international standards

- FCC, CE, KCC, ADA compliant

| Long battery life technology

- Approximately 2 years under normal conditions

| Reinforced security

- Unique security key by 3DES security algorithm

| Flexible and convenient operation

- Easy program change or upgrade using RF card
- Simple integration into other data systems (access control etc)

| Various programming options

- Locker free or assigned mode
- Single user for multi lockers or multi users per single locker

| Audit trail function

- Up to 18 lock history events as default
- Up to 200 lock history events(optional)

| Time based operation

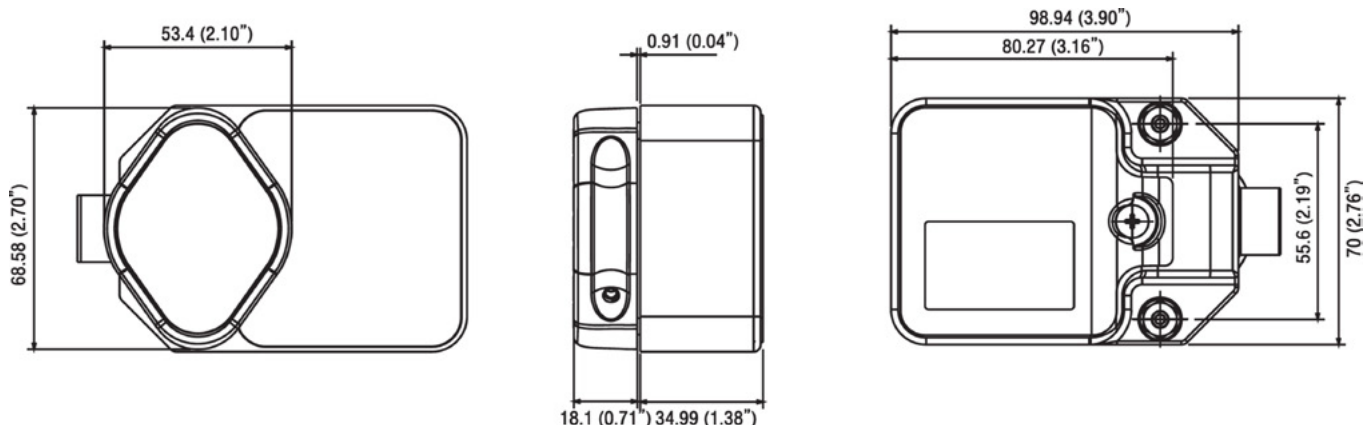
- Automatic door open at programmed time
- Set a time limit on user access

| Wakeupless operation

- No need to wake up lock before scanning the card /
Refers to ZP100 and ZP200R models

DIMENSIONS

Units : mm (inch)



SPECIFICATIONS

Model		ZP100	ZP200R	PT300KR
Start-up		Wakeupless		Keypad
RF protocol		13.56 MHz ISO 14443 Type A/B (Mifare, Desfire, HID – optional and more)		
Power		6V (1.5V AA battery x 4)		
Latch material & type		Aluminum Spring bolt / Deadbolt		
Dimension (mm)	Front	53.4(W)x68.58(L)x18.1(D)		48(W)x76(L)x26(D)
	Back	99(L)x70(H)x35(D)		
Housing		Polycarbonate		
Operation signal		LED (Green & Red) and Beep		
Door open/close		RFID card, wristband and tag		RFID card and PIN
Battery life		2 years (10 times operation/day)		
Safety standard		FCC, CE, KCC, ADA compliant		
Front case / plate design		Case color : Black by default (optional : White color) ZP200R front plate design can be customized on demand		

CONTACT INFORMATION

1301 S. Beach Blvd. Ste-P La Habra, CA 90631
Tel : 562-943-6300 Fax : 562-943-6300

E-mail : sales@esmartlockusa.com Web : www.esmartlockusa.com